

TireHand® TH3565

Technical Specifications

Tire Manipulator



An Oshkosh Truck Corporation Company

TireHand® 3565

Specifications

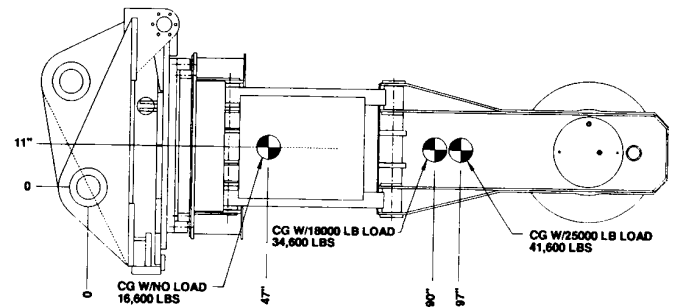
Tire Size Capacity	18.00-25 – 57.5/85x57
Max. Capacity	25,000 lb (11,340 kg)
Clamping Span	41 – 164" (104.1 – 416.6 cm)
Method of Clamping	Parallelogram
Clamping Pad Rotation	360° (6.28 rad) continuous
Body Rotation	390° (6.81 rad)
Side Shift	Standard on loader, optional on forklift
	16" (40.6 cm) lateral movement
Clamping Load Holding Valves	
On clamping side	Counterbalance valve
Hydraulic Controls	
Manual lever	Control valve on carrier vehicle
Electric switch	Control valve on TireHand body
Rotation System	Dual spur gear drives
Weight	16,600 lb (7530 kg)
Optimum Pump Capacity	15 gpm @ 2500 psi (57 L/min @ 172.4 bar)
Counterweight Needed	As required for stabilization
Horizontal Center of Gravity	
From vehicle attachment point	47" (119.4 cm)
With 18,000 lb tire and rim assembly	90" (228.6 cm)
With 25,000 lb tire and rim assembly	97" (246.4 cm)

Manufacturer's Limited Warranty Coverage

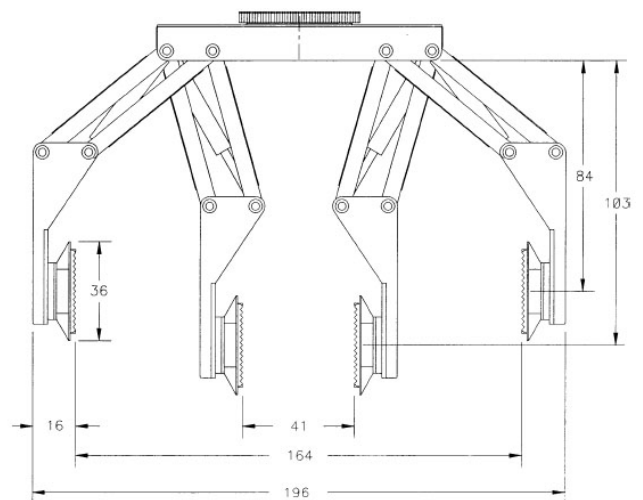
Products manufactured by IMT are warranted to be free from defects in material and workmanship under proper use, application, and maintenance in accordance with IMT written recommendations, instructions, and specifications as follows:

1. 90 days labor on IMT workmanship from the date of shipment to the end user.
2. One year on original IMT parts from the date of shipment to the end user.

Center of Gravity



Geometric Configurations



Vehicle Compatibility

The TireHand 3565 will permanently attach to either a forklift truck or a front-end loader. When mounting to a forklift truck, we recommend equipping the truck with a side-shifter. If used with a front-end loader, quick couplers should be used to enable the TireHand to be disconnected, so the original bucket can be attached quickly to the machine for normal operations.

Note: Where applicable, specifications are in accordance with SAE standards.



An Oshkosh Truck Corporation Company

Iowa Mold Tooling Co., Inc.

500 Highway 18 West • P.O. Box 189 • Garner, Iowa 50438-0189
641-923-3711 • Fax: 641-923-6063 • www.imt.com

800-247-5958

IMT reserves the right to make changes in engineering, design, and specifications; add improvements; or discontinue manufacturing at any time without notice or obligation.

IMT, IMT LOGO, and TIREHAND are registered trademarks or trademarks of Iowa Mold Tooling Co., Inc., Garner, IA, USA.

© 2007 Iowa Mold Tooling Co., Inc. All Rights Reserved.