

TireHand **TH2557B**

Technical Specifications

Tire Manipulator



An Oshkosh Truck Corporation Company

TireHand 2557B

Specifications

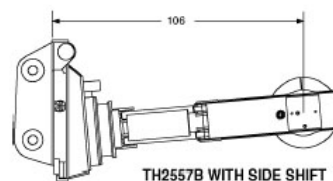
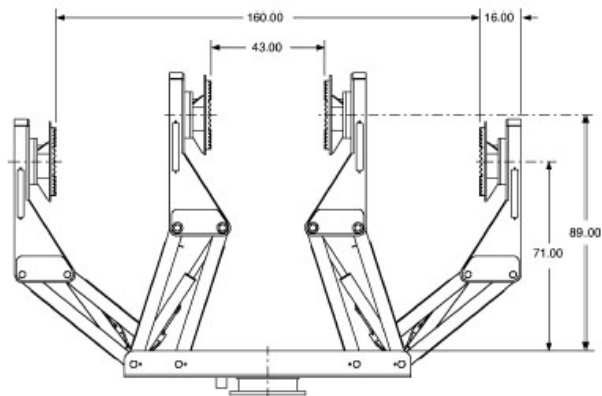
Tire Size Capacity	18.00-25 – 53.5/85x57
Max. Capacity	13,000 lb (5896.7 kg)
Clamping Span	43" – 160" (109.2 – 406.4 cm)
Method Of Clamping	Parallelogram
Clamping Pad Rotation	360° (6.28 rad) continuous
Body Rotation	350° (6.11 rad)
Side Shift	Standard on loader, optional on forklift
	12" (30.5 cm) lateral movement
Clamping Load Holding Valves	
On clamping side	Check valves
Hydraulic Controls	
Manual lever	Control valve on carrier vehicle
Electric switch	Control valve on TireHand body
Rotation System	Dual spur gear drives
Weight	
Forklift-style without side-shift	6300 lb (2858 kg)
Loader-style with side-shift	8100 lb (3674 kg)
Optimum Pump Capacity	12 gpm @ 2500 psi (45.4 L/min @ 172.4 bar)
Counterweight Needed	As required for stabilization
Horizontal Center Of Gravity	
From vehicle attachment point without side-shift	55" (139.7 cm)
With 53.5/85-57 tire	86.5" (219.7 cm)
From vehicle attachment point with side-shift	49" (124.5 cm)
With 53.5/85-57 tire	89.5" (227.3 cm)

Manufacturer's Limited Warranty Coverage

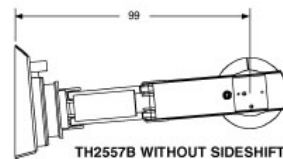
Products manufactured by IMT are warranted to be free from defects in material and workmanship, under proper use, application, and maintenance in accordance with IMT written recommendations, instructions, and specifications as follows:

1. 90 days labor on IMT workmanship from the date of shipment to the end user.
2. One year on original IMT parts from the date of shipment to the end user.

Geometric Configurations



TH2557B WITH SIDE SHIFT



TH2557B WITHOUT SIDESHIFT

Vehicle Compatibility

The TireHand 2557B will permanently attach to either a forklift truck or a front-end loader. When mounting to a forklift truck, we recommend equipping the truck with a side-shifter. If used with a front-end loader, quick couplers should be used to enable the TireHand to be disconnected, so the original bucket can be attached quickly to the machine for normal operations.

Note: Where applicable, specifications are in accordance with SAE standards.



An Oshkosh Truck Corporation Company

Iowa Mold Tooling Co., Inc.

500 Highway 18 West • P.O. Box 189 • Garner, Iowa 50438-0189
641-923-3711 • Fax: 641-923-6063 • www.imt.com

800-247-5958

IMT reserves the right to make changes in engineering, design, and specifications; add improvements; or discontinue manufacturing at any time without notice or obligation.

IMT and the IMT LOGO are registered trademarks or trademarks of Iowa Mold Tooling Co., Inc., Garner, IA, USA.

© 2007 Iowa Mold Tooling Co., Inc. All Rights Reserved.