

Mechanics Truck DOMINATOR® IV

Technical Specifications

Commercial Vehicles



Specifications	14 ft	19 ft (Tandem)
Body Rating	80,000 ft-lb	80,000 ft-lb
Body Weight	6355 – 6393 lb (based on configuration)	7885 – 7952 lb (based on configuration)
Body Width (including rain eaves)	98"	98"
Sidepack Height	52" and 60"	52" and 60"
Sidepack Depths	Left: 22" Right: 24"	Left: 22" Right: 24"
Cargo Deck Width	50"	50"
Workbench Depth	24"	24"
Tailgate Height	10"	10"
Storage Capacity (including workbench)	219.6 – 225.4 cu ft (based on configuration)	268.7 – 281.1 cu ft (based on configuration)
Angle of Departure	14°	14°
Door Opening Dimensions – 60"H Sidepacks:		
LH 1st Vertical	36.75"W x 54.5"H	36.75"W x 54.5"H
LH 2nd Vertical	36.75"W x 54.5"H	36.75"W x 54.5"H
LH 1st Horizontal	46.88"W x 29.25"H	50.5"W x 29.25"H
LH 2nd Horizontal	N/A	50.5"W x 29.25"H
LH Rear	24.5"W x 54.5"H	24.5"W x 54.5"H
RH 1st Vertical	36.75"W x 54.5"H	36.75"W x 54.5"H
RH 2nd Vertical	36.75"W x 54.5"H	36.75"W x 54.5"H
RH 1st Horizontal	43.5"W x 21.25"H (raised) 43.5"W x 29.25"H (standard)	50.5"W x 21.25"H (raised) 50.5"W x 29.25"H (standard)
RH 2nd Horizontal	N/A	47"W x 21.25"H (raised) 47"W x 29.25"H (standard)



An Oshkosh Corporation Company



Standard Configurations

- 14 ft RH and LH standard sidepacks 60"
- 14 ft RF raised* 60"
- 19 ft RH and LH standard sidepacks 60" (tandem)
- 19 ft RF raised* 60" (tandem)

*Includes 1st and 2nd vertical

Body Materials

The sidepacks are constructed of 12-gauge and 10-gauge galvanized steel. The floor structure is constructed of 12-gauge galvanized and 1/8" deckplate steel. The step bumper is constructed of galvanized and cold-rolled steel.

Body Weight

14 ft RH and LH standard	6393 lb
14 ft RF raised	6355 lb
19 ft RH and LH standard	7952 lb
19 ft RF raised	7885 lb

Body Substructure

Patented inverted A-frame design constructed of 10-gauge galvanized material with integral crane box and rear outrigger housing.

Electrical System

The electrical system consists of a central power distribution point in the crane box using automotive-style harnesses. The circuits use white wire with the circuit function printed every 3". The harness is protected by an overbraid that is heat- and cut-resistant.

Doors

The doors are constructed of 14-gauge galvanized steel with internal formed eaves and hemmed edges. The latches are a 3-point, locking rotary T-handle style. They are constructed of cast steel with a powdercoat finish. The hinges are stainless steel with composite washers.

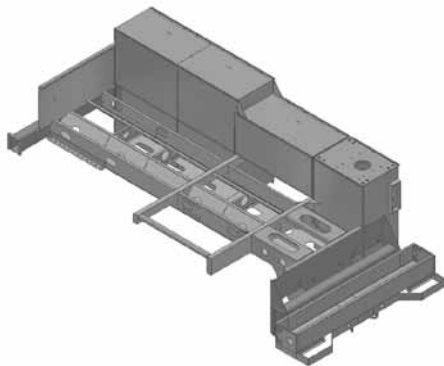
Storage Capacity

14 ft RH and LH standard	225.4 cu ft
14 ft RF raised	219.6 cu ft
19 ft RH and LH standard	281.1 cu ft
19 ft RF raised	268.7 cu ft

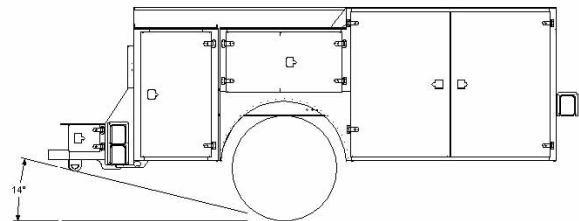
Options

- Drawers and drawer sets
- Standard adjustable shelves
- 3"H divided adjustable shelves
- Rear hydraulic out-and-down outriggers
- Right front hydraulic out-and-down outriggers
- Workbench vises and vise plates
- Individual incandescent compartment lights
- Work lights
- Air systems
- Telescopic cranes from 55,000 to 80,000 ft-lb

Substructure



Angle of Departure



Iowa Mold Tooling Co., Inc.

500 Highway 18 West • P.O. Box 189 • Garner, Iowa 50438-0189
641-923-3711 • Fax: 641-923-6063 • www.imt.com

800-247-5958

IMT reserves the right to make changes in engineering, design, and specifications; add improvements; or discontinue manufacturing at any time without notice or obligation.

IMT, IMT logo, and DOMINATOR are registered trademarks or trademarks of Iowa Mold Tooling Co., Inc., Garner, IA, USA.

© 2008 Iowa Mold Tooling Co., Inc. All Rights Reserved.